

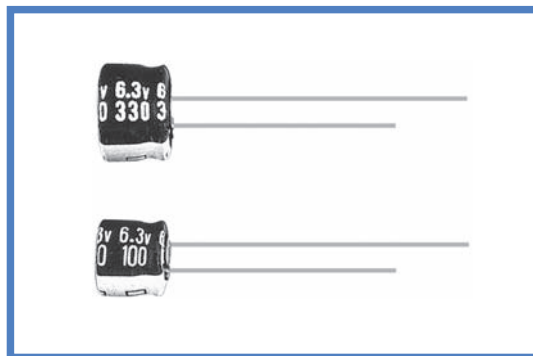
MS5 系列

SERIES

85°C高5mm品 85°C 5mm Height.

◆特 长 / FEATURES

- RoHS指令对应品。
RoHS compliance.



◆规格表 / SPECIFICATIONS

项 目 Items	特 性 Characteristics																									
工作温度范围 Category Temperature Range	-40 ~ +85°C																									
额定电压范围 Rated Voltage Range	4 ~ 50V.DC																									
静电容量允许差 Capacitance Tolerance	±20% (20°C, 120Hz)																									
漏 电 流 Leakage Current (MAX)	小于 $I=0.01CV$ 和 $3\mu A$ 中的较大值 (施加额定电压2分钟后) $I=0.01CV$ or $3\mu A$ whichever is greater. (After 2 minutes application of rated voltage) I =漏电流 (μA) C =额定静电容量 (μF) V =额定电压 (V) Leakage Current Rated Capacitance Rated Voltage																									
损失角正切值 ($\tan \delta$) Dissipation Factor (MAX)	<table border="1"> <tr> <td>额定电压 (V) Rated Voltage</td> <td>4</td> <td>6.3</td> <td>10</td> <td>16</td> <td>25</td> <td>35</td> <td>50</td> <td rowspan="2">(20°C, 120Hz)</td> </tr> <tr> <td>$\tan \delta$</td> <td>0.35</td> <td>0.26</td> <td>0.22</td> <td>0.18</td> <td>0.16</td> <td>0.14</td> <td>0.12</td> </tr> </table>	额定电压 (V) Rated Voltage	4	6.3	10	16	25	35	50	(20°C, 120Hz)	$\tan \delta$	0.35	0.26	0.22	0.18	0.16	0.14	0.12								
额定电压 (V) Rated Voltage	4	6.3	10	16	25	35	50	(20°C, 120Hz)																		
$\tan \delta$	0.35	0.26	0.22	0.18	0.16	0.14	0.12																			
耐 久 性 Endurance	在85°C环境中, 不超过额定电压的范围内叠加额定纹波电流, 连续加载1000小时后, 满足以下各项要求。 After applying rated voltage with rated ripple current for 1000 hrs at 85°C, the capacitors shall meet the following requirements. <table border="1"> <tr> <td>静电容量变化率 Capacitance Change</td> <td>初期值的±25%以内 Within ±25% of the initial value.</td> </tr> <tr> <td>损失角正切值 Dissipation Factor</td> <td>规格值的200%以下 Not more than 200% of the specified value.</td> </tr> <tr> <td>漏 电 流 Leakage Current</td> <td>规格值以下 Not more than the specified value.</td> </tr> </table>	静电容量变化率 Capacitance Change	初期值的±25%以内 Within ±25% of the initial value.	损失角正切值 Dissipation Factor	规格值的200%以下 Not more than 200% of the specified value.	漏 电 流 Leakage Current	规格值以下 Not more than the specified value.																			
静电容量变化率 Capacitance Change	初期值的±25%以内 Within ±25% of the initial value.																									
损失角正切值 Dissipation Factor	规格值的200%以下 Not more than 200% of the specified value.																									
漏 电 流 Leakage Current	规格值以下 Not more than the specified value.																									
低 温 特 性 Low Temperature Stability (阻抗比) Impedance Ratio(MAX)	<table border="1"> <tr> <td>额定电压 (V) Rated Voltage</td> <td>4</td> <td>6.3</td> <td>10</td> <td>16</td> <td>25</td> <td>35</td> <td>50</td> <td rowspan="3">(120Hz)</td> </tr> <tr> <td>$Z(-25^\circ C)/Z(20^\circ C)$</td> <td>7</td> <td>6</td> <td>4</td> <td>4</td> <td>3</td> <td>2</td> <td>2</td> </tr> <tr> <td>$Z(-40^\circ C)/Z(20^\circ C)$</td> <td>15</td> <td>12</td> <td>10</td> <td>8</td> <td>6</td> <td>4</td> <td>4</td> </tr> </table>	额定电压 (V) Rated Voltage	4	6.3	10	16	25	35	50	(120Hz)	$Z(-25^\circ C)/Z(20^\circ C)$	7	6	4	4	3	2	2	$Z(-40^\circ C)/Z(20^\circ C)$	15	12	10	8	6	4	4
额定电压 (V) Rated Voltage	4	6.3	10	16	25	35	50	(120Hz)																		
$Z(-25^\circ C)/Z(20^\circ C)$	7	6	4	4	3	2	2																			
$Z(-40^\circ C)/Z(20^\circ C)$	15	12	10	8	6	4	4																			

◆纹波电流修正系数 / MULTIPLIER FOR RIPPLE CURRENT

频率系数 Frequency coefficient

频率 (Hz) Frequency	60 (50)	120	500	1k	10k≤
0.1 ~ 1 μF	0.50	1.0	1.20	1.30	1.50
1.5 ~ 6.8 μF	0.65	1.0	1.20	1.30	1.50
10 ~ 68 μF	0.8	1.0	1.20	1.30	1.50
100 ~ 470 μF	0.8	1.0	1.10	1.15	1.20

◆副记号 / OPTION

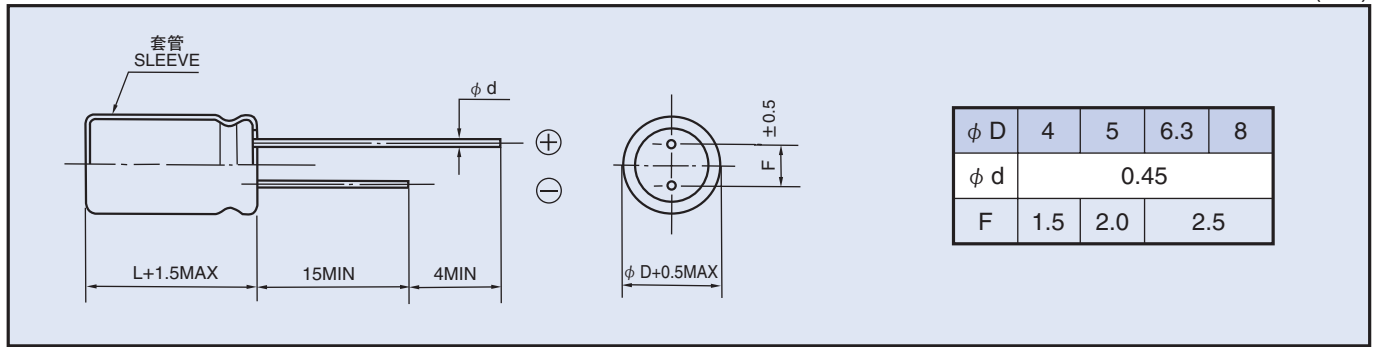
副记号	记号 Code
PET套管 PET Sleeve	EFC

◆产品型号体系 / PART NUMBER

□□□	MS5	□□□□□	□	□□□	□□	D×L
额定电压 Rated Voltage	系列名称 Series	额定静电容量 Rated Capacitance	静电容量允许差 Capacitance Tolerance	副记号 Option	引线加工记号 Lead Forming	铝壳尺寸 Case Size

◆尺寸图 / DIMENSIONS

(mm)



◆标准品一览表 / STANDARD SIZE

Size $\phi D \times L$ (mm) , Ripple Current (mA r.m.s./85°C, 120Hz)

额定电压 WV(V.DC)	4 (0G)		6.3 (0J)		10 (1A)		16 (1C)	
	Size	Ripple	Size	Ripple	Size	Ripple	Size	Ripple
4.7							4×5	11
6.8					4×5	10	4×5	13
10			4×5	14	4×5	16	4×5	18
15			4×5	18	4×5	22	5×5	26
22	4×5	20	4×5	22	5×5	30	5×5	35
33	4×5	27	5×5	34	5×5	45	6.3×5	51
47	4×5	37	5×5	37	6.3×5	50	6.3×5	65
68	5×5	45	6.3×5	55	6.3×5	59	6.3×5	70
100	5×5	62	6.3×5	62	6.3×5	80	8×5	92
220	6.3×5	74	8×5	120	8×5	145		
330	8×5	145	8×5	145				
470	8×5	181						

额定电压 WV(V.DC)	25 (1E)		35 (1V)		50 (1H)	
	Size	Ripple	Size	Ripple	Size	Ripple
0.1					4×5	1
0.15					4×5	1.5
0.22					4×5	2.5
0.33					4×5	4
0.47					4×5	6
0.68					4×5	7
1					4×5	8.6
1.5					4×5	8.7
2.2			4×5	9	4×5	9.1
3.3	4×5	11	4×5	12	4×5	13
4.7	4×5	13	4×5	14	5×5	20
6.8	4×5	19	5×5	20	6.3×5	26
10	5×5	27	5×5	27	6.3×5	31
15	5×5	33	6.3×5	35	6.3×5	39
22	6.3×5	46	6.3×5	46	8×5	60
33	6.3×5	54	8×5	65	8×5	80
47	6.3×5	65	8×5	85		
68	8×5	90				
100	8×5	120				