

# SAW Resonator 915 MHz

MODEL NO.: TD0106B

REV. NO.:1

## A. FEATURES:

1. 2-Port Resonator.

## B. MAXIMUM RATING:

1. Input Power Level: 0 dBm

2. DC voltage: 12 V

3. Operating Temperature: -40°C to +85°C

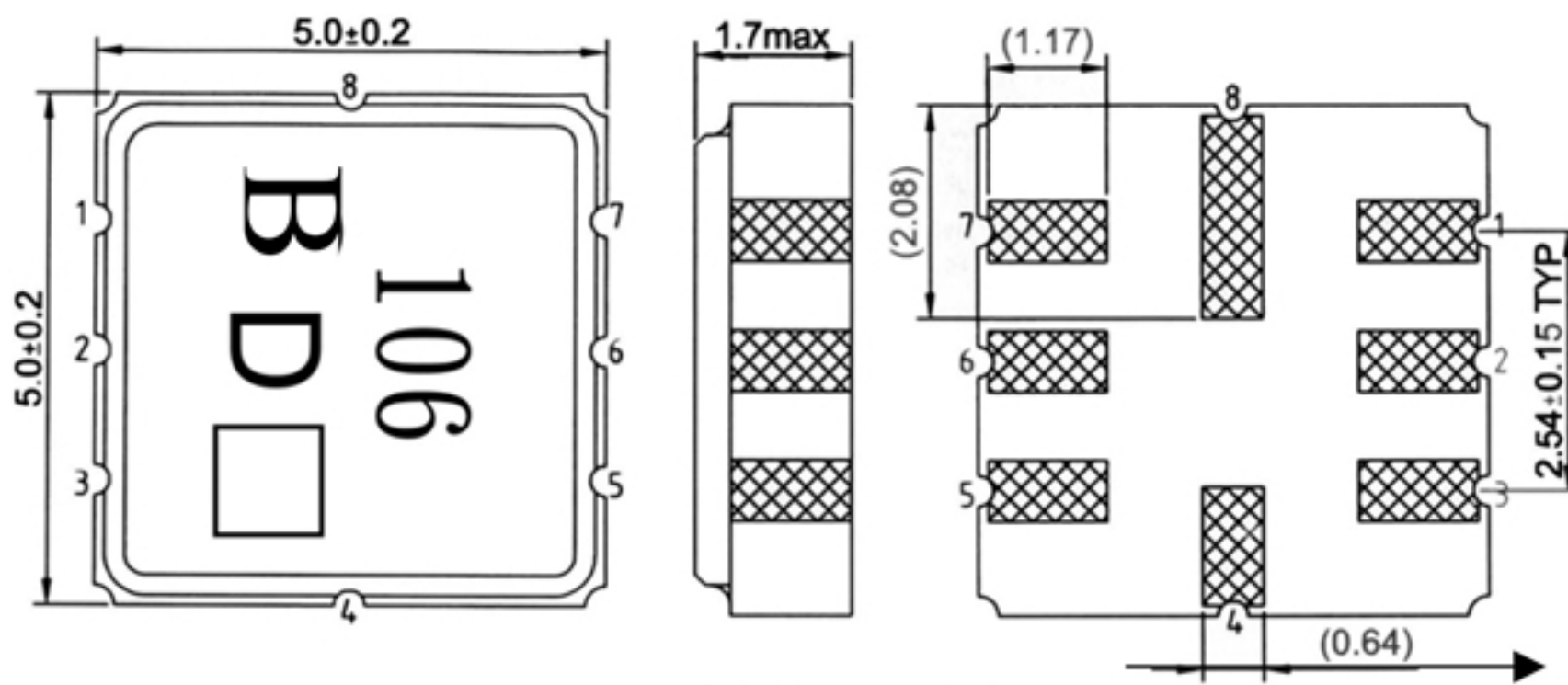
4. Storage Temperature: -40°C to +85°C

## C. ELECTRICAL CHARACTERISTICS:

Characteristic	Units	Minimum	Typical	Maximum
Center frequency <b>Fr</b>	<b>MHz</b>	914.650	915.000	915.350
Insertion Loss <b>IL</b>	<b>dB</b>	-	8	9
Equivalent Elements				
Motional capacitance <b>C1</b>	<b>fF</b>	-	0.225	-
Motional inductance <b>L1</b>	<b>μH</b>	-	134.5	-
Motional resistance <b>R1</b>	<b>Ohm</b>	-	125	-
Parallel capacitance <b>Co</b>	<b>pF</b>	-	1.9	-
Temp.coeff.	<b>ppm/c*2</b>	-	0.032	-
Turnover To	<b>deg.C</b>	-	25	-
Package size		SMD 5X5X1.4mm		

RoHS Compliant  
 Lead free  
 Lead-free soldering

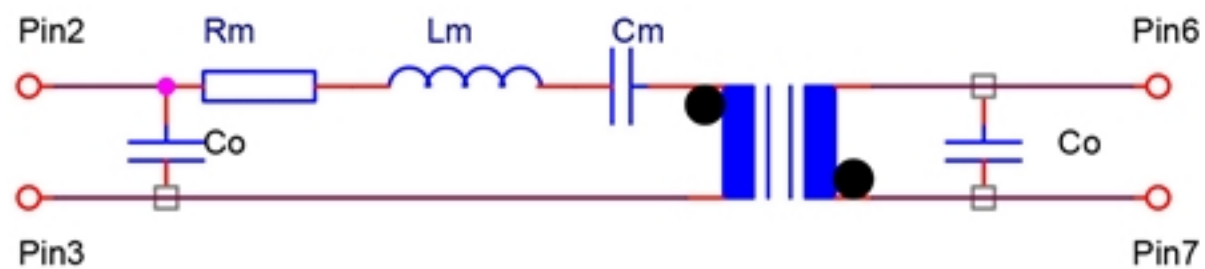
## D. OUTLINE DRAWING:



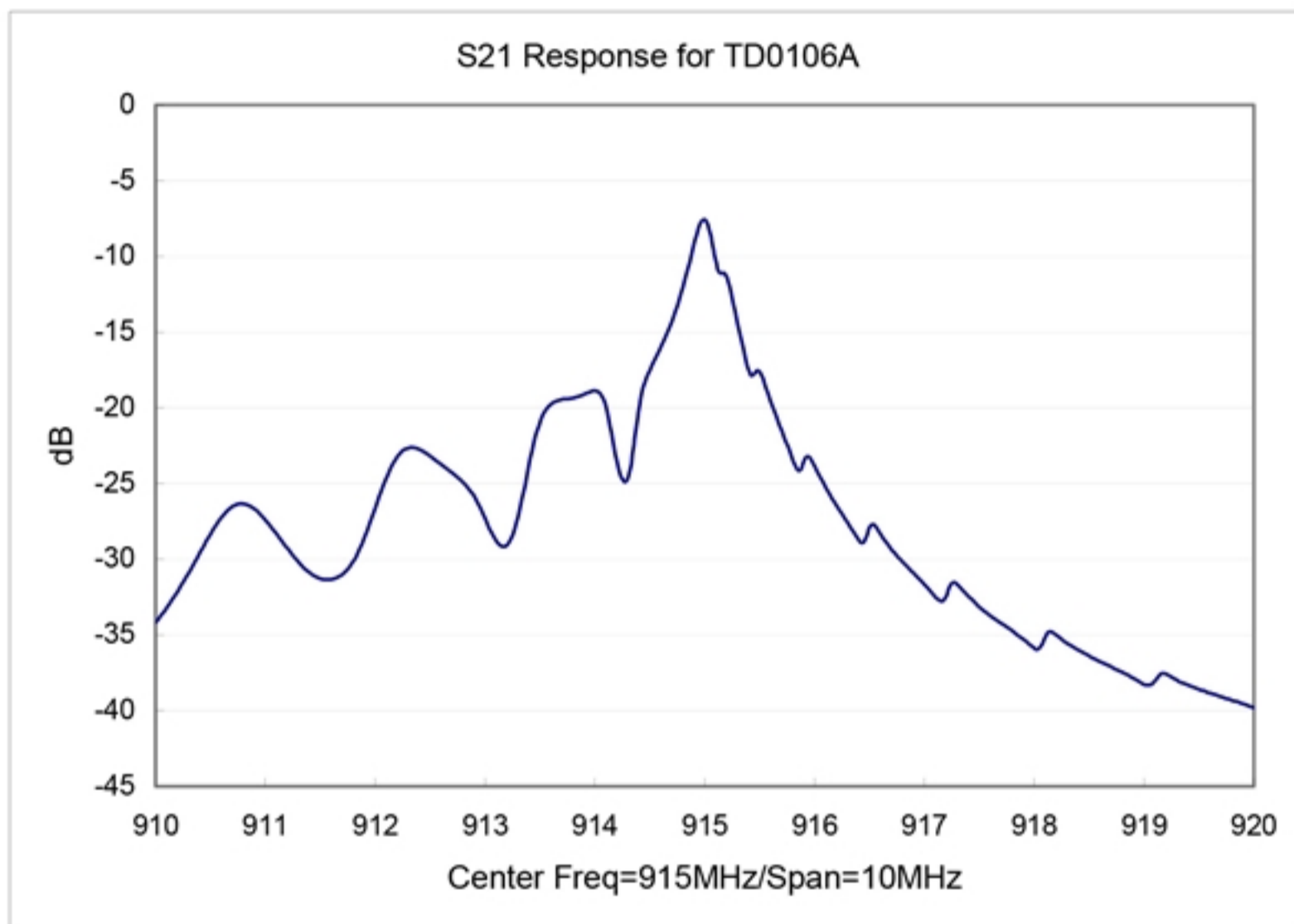
#2 : Input or Output  
 #6 : Output or Input  
 #4、8 : Case Ground  
 #1、3、5、7 : Ground  
 □ : Date code  
 Unit : mm

### E. EQUIVALENT CIRCUIT:

Two-Port Resonator:



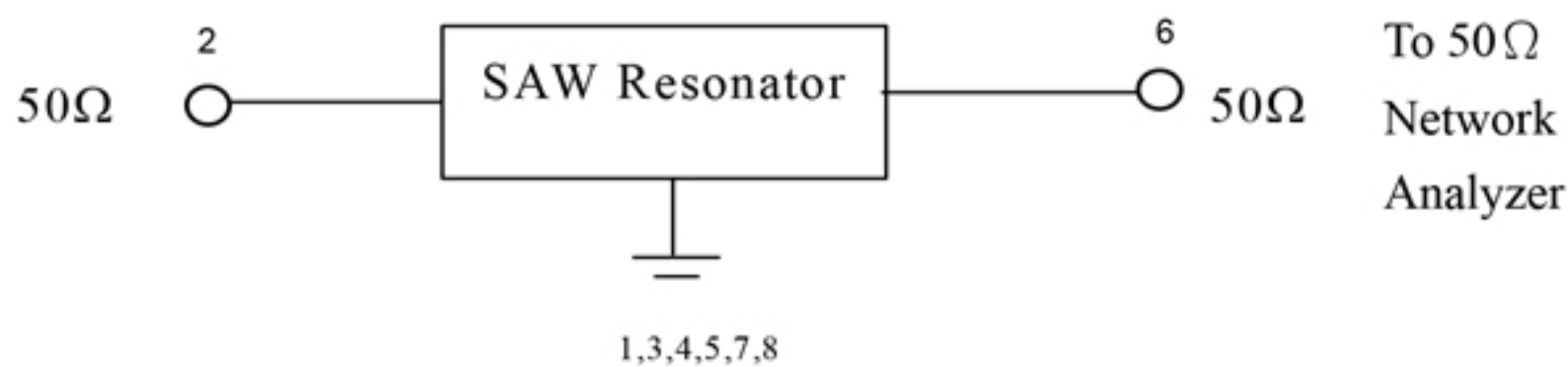
### F. FREQUENCY CHARACTERISTICS:



### G. TEST CIRCUIT:

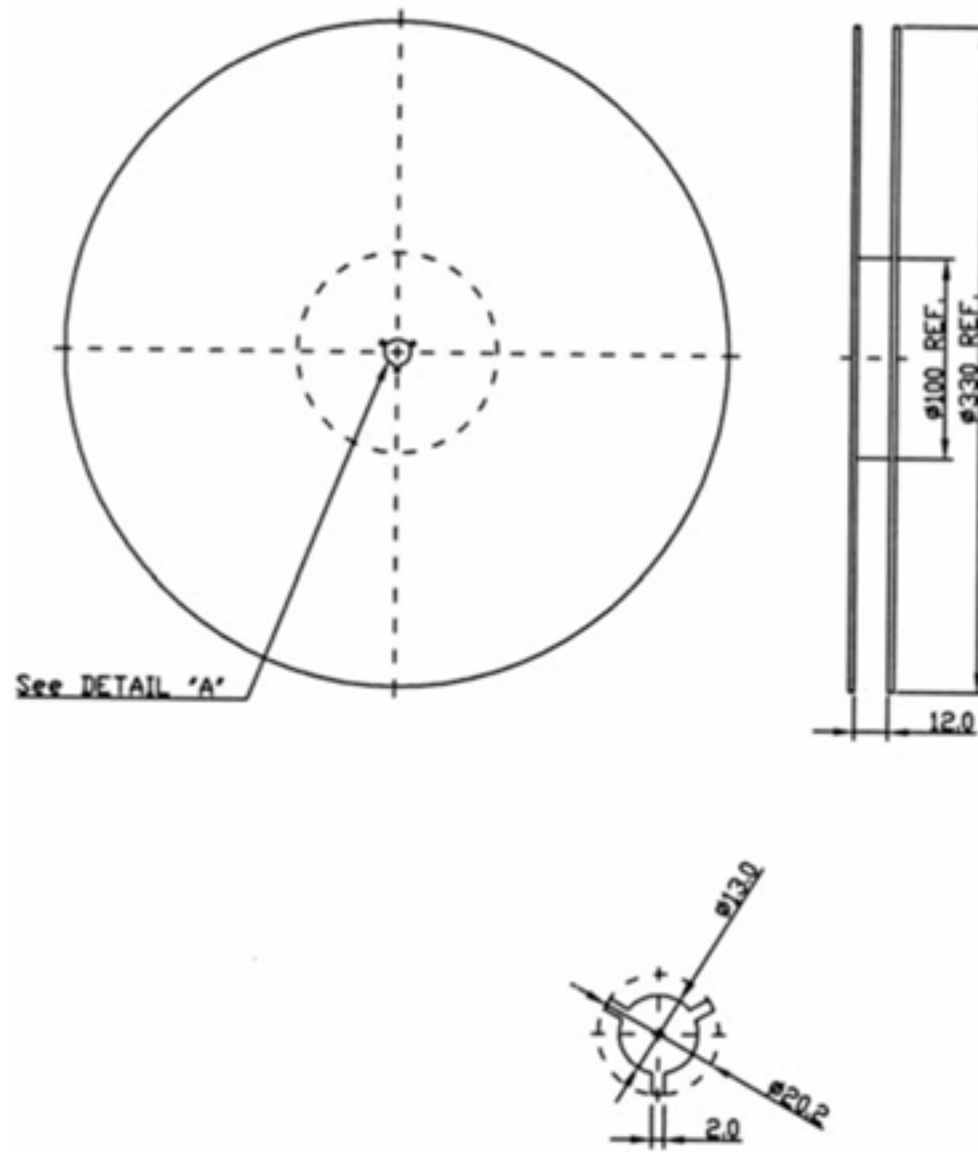
Network analyzer

From 50Ω  
Network  
Analyzer

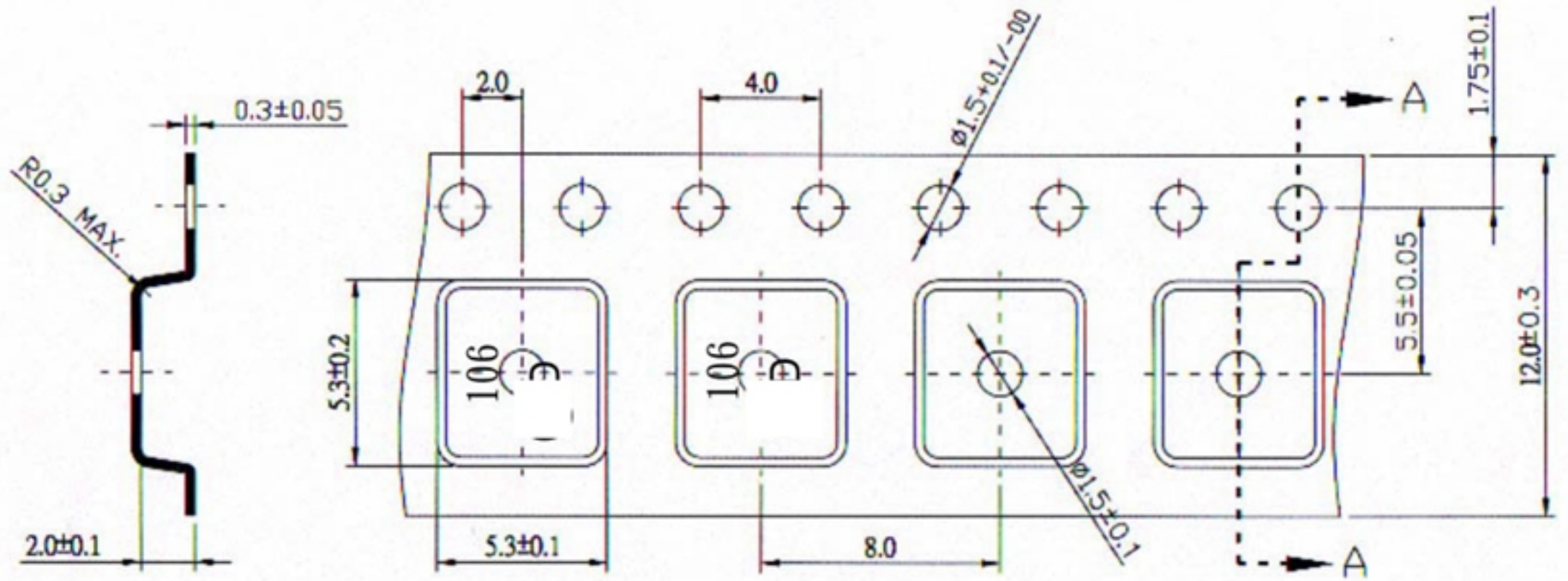


# H. PACKING:

## 1. REEL DIMENSION



## 2. TAPE DIMENSION



Section A-A

→  
Direction of feed