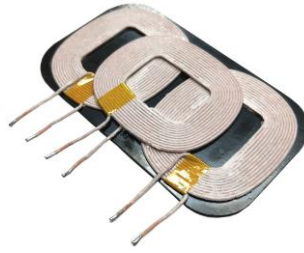


Wirewound WPC Antenna ATWW Series

**Automotive
AEC-Q200**

RoHS Compliant
Halogen Free
REACH Compliant



Unshield

Wire Wound

Ferrite

Part Numbering

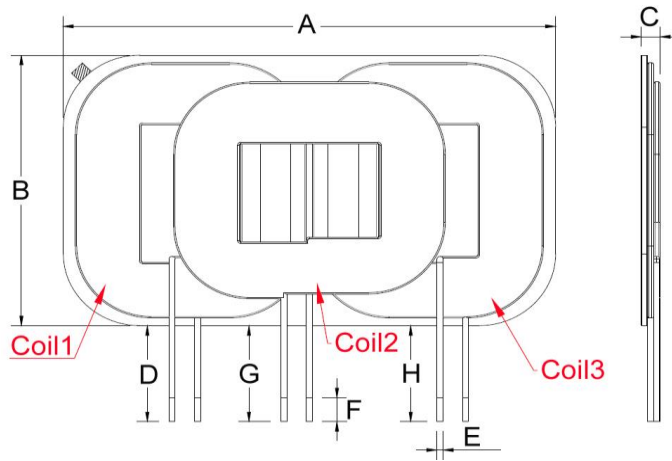
| | | | | | |
|-------|-------------|--------------|----------------------|-------------|---------------|
| A | TWW | 00 | 965640 | TX | A009 |
| Grade | Series Name | Control Code | Dimensions Code (mm) | Series Type | Internal Code |
| | | | 965640 96.4x56.4x4 | TX | A009 |
| | | | 625974 62.3x58.8x7.4 | | A001 |
| | | | 106174 106x61.5x7.4 | | A002 |

Wirewound WPC Antenna ATWW Series

**Automotive
AEC-Q200**

ATWW00965640TXA009 Type

Configuration and Dimensions



Unit: mm

Dimensions mm

| Type | A | B | C | D | E | F | G | H |
|--------------------|--------|--------|--------|------|-----|-----|------|------|
| ATWW00965640TXA009 | 96.4±2 | 56.4±2 | 4.0Max | 20±2 | 1.2 | 2.5 | 20±2 | 20±2 |

Electrical Characteristics

| Part No. | Inductance (uH) | | | Tolerance (±%) | DC Resistance (mΩ)±10% | | | Test Frequnc (kHz) |
|--------------------|-----------------|--------|--------|----------------|------------------------|--------|--------|--------------------|
| | Coil 1 | Coil 2 | Coil 3 | | Coil 1 | Coil 2 | Coil 3 | |
| ATWW00965640TXA009 | 12.5 | 11.5 | 12.5 | 10 | 65 | 65 | 65 | 100 |

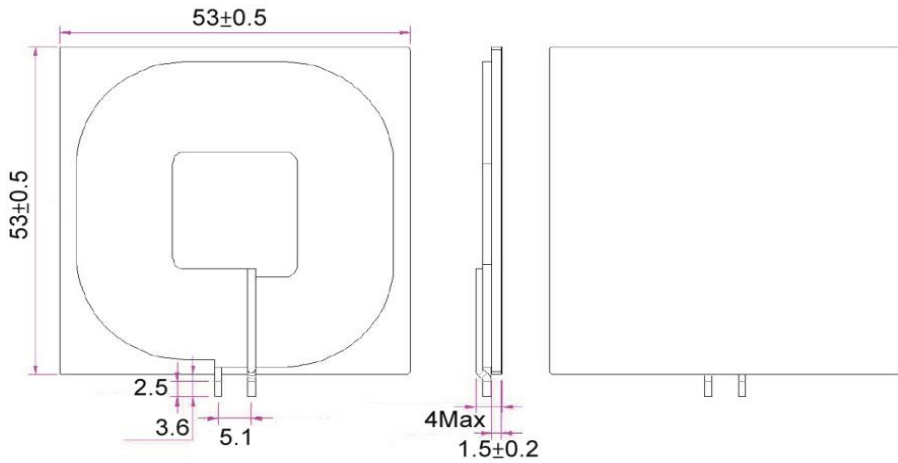
1. Operating temperature range -40°C ~ 125°C
2. Storage temperature range -40°C ~ 125°C (The storage temperature range is for after the assembly)

Wirewound WPC Antenna ATWW Series

**Automotive
AEC-Q200**

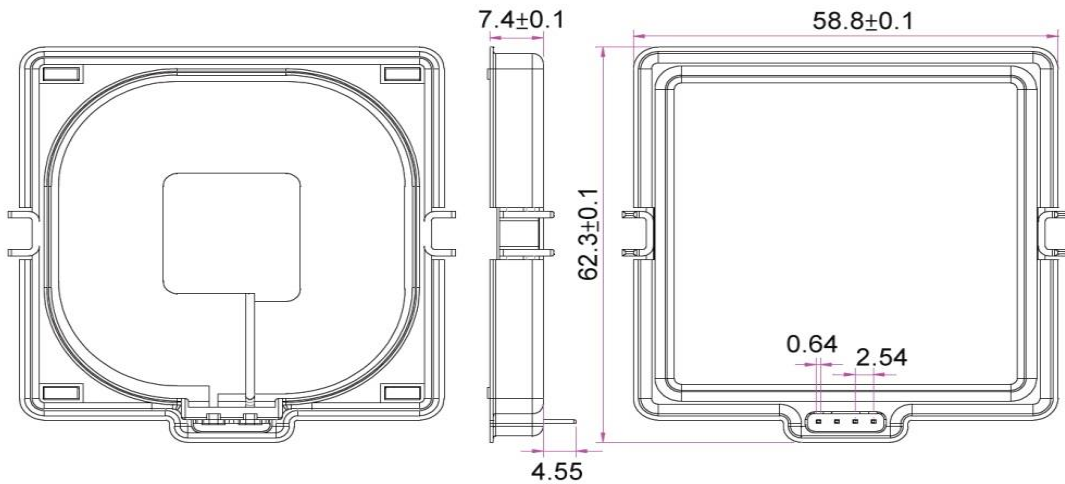
ATWW00625974TXA001 Type

MP-A2 Coil and Dimensions



Unit: mm

Configuration and Dimensions



Unit: mm

Electrical Characteristics

| Part No. | Inductance (uH) | Q Typ | Tolerance (±%) | DC Resistance (mΩ)Max | Test Frequency (kHz) |
|--------------------|--------------------|----------|-------------------|--------------------------|----------------------------|
| ATWW00625974TXA001 | 10 | 100 | 10 | 55 | 100 |

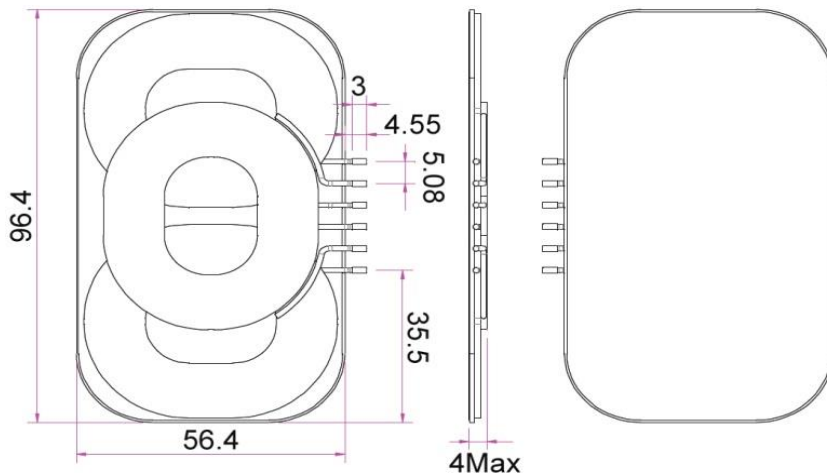
1. Operating temperature range -40°C ~ 125°C (Including self - temperature rise)
2. Storage temperature range -40°C~125°C、50% RH Max

Wirewound WPC Antenna ATWW Series

**Automotive
AEC-Q200**

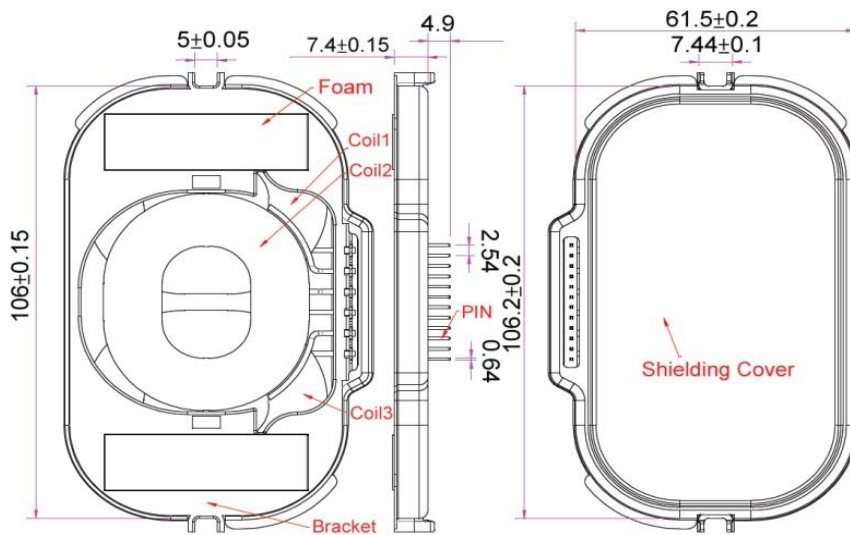
ATWW00106174TXA002 Type

MP-A13 Coil and Dimensions



Unit: mm

Configuration and Dimensions



Unit: mm

Electrical Characteristics

| Part No. | Inductance (uH) | | | Tolerance (±%) | DC Resistance (mΩ)±10% | | | Test Frequency (kHz) |
|--------------------|-----------------|--------|--------|----------------|------------------------|--------|--------|----------------------|
| | Coil 1 | Coil 2 | Coil 3 | | Coil 1 | Coil 2 | Coil 3 | |
| ATWW00106174TXA002 | 12.5 | 11.5 | 12.5 | 10 | 70 | 70 | 70 | 100 |

1. Operating temperature range -40°C ~ 125°C (Including self - temperature rise)
2. Storage temperature range -40°C~125°C, 50% RH Max