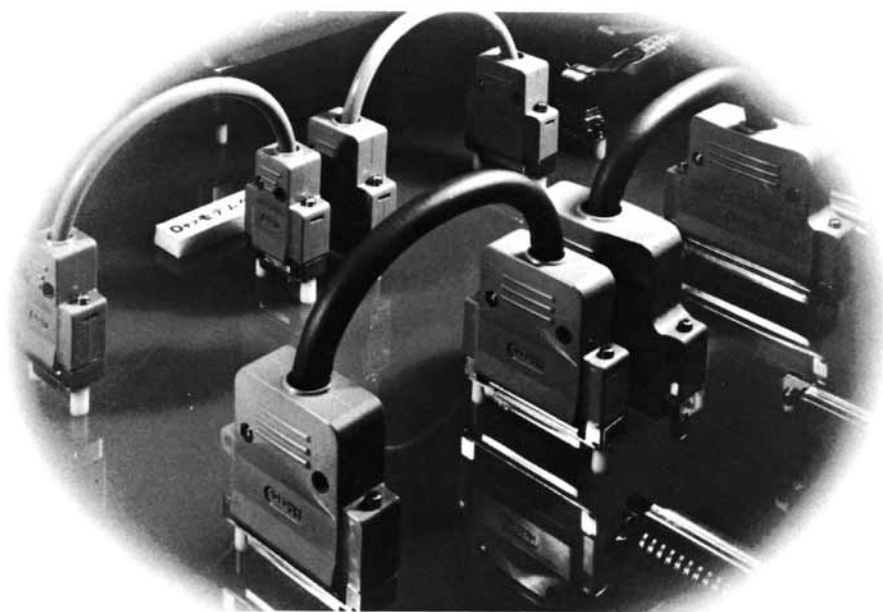


CTF SERIES PLASTIC D SUBMINIATURE SHELL (ACCESSORIES)

General

HIROSE CTF series plastic D subminiature shells offer the highest quality of mechanical design and appearance. Available to fit 9, 15, 25, and 37 position

connectors and most competitors products. LN mounts allow for design flexibility.



Features

- (1) Standard screw type locking mechanism provides a strong and secure lock.
- (2) ABS resin molding material offers light weight, sturdy construction.
- (3) Easy to assemble and service because the case is split at the center of the cable inlet and few screws are used.
- (4) Two types of locking devices are available, rectangular and hexagonal, to meet different panel mounting complies.
- (5) The 25-contact model complies with the the mod- em plug case specified in JIS-C-6361.
- (6) Can easily incorporate solderling (HD) and crimping.

Application

Modems in communications equipment such as computers, peripherals and terminal equipment, control

equipment, measuring instruments, and export equip- ment.

Materials

Part	Material	Finish
Plug case	ABS resin	2.5PB 6/2 (color)
Locking device	Steel or zinc alloy die casting	Nickel plating

Ordering Informations

Plug case

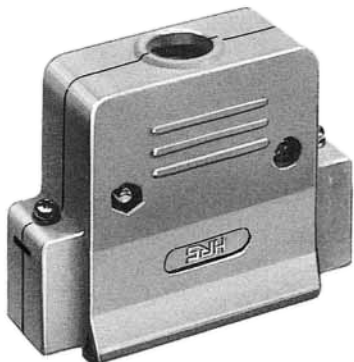
HD B — CT F ※₁ ※₂
 | | | | | |
 (1) (2) (3) (4) (5) (8)

Locking device

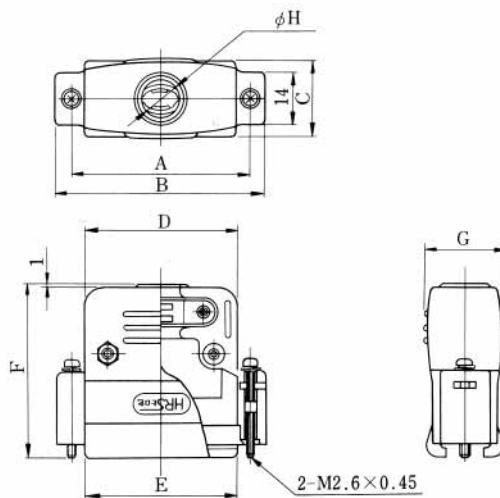
HD — LN A ※₂
 | | | |
 (1) (6) (7) (8)

- (1) Connector series
- (2) Connector size: E (9 contacts), A (15 contacts), B (25 contacts), C (37 contacts)
 Note: Not available for 50pos. cover.
- (3) Type of plug case
 CT: Plug case with a vertical cable inlet opening
- (4) Serial sign for series
 F: Plug case made of plastic
- (5) Locking screws
 No sign: To be locked with a screwdriver
 1: To be locked by hand
- (6) Locking device
 LN: screw type locking device
- (7) Type of locking device
 Provided with a sequence of upper-case alphabetic characters.
 No sign: Rectangular
 A: Hexagonal
- (8) Type of screw
 Provided with a sequence of Arabic numerals.
 No sign: M2.6
 (4-40): inch

Dataphone shell (To be locked with a screwdriver)



HDB-CTF (50)



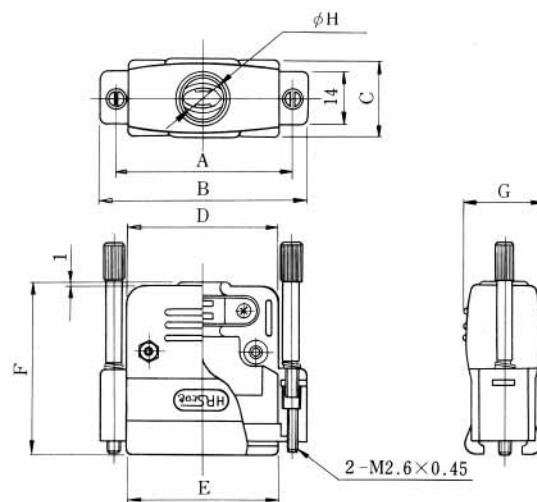
Unit: mm

HRS No	Noof pin	Part No.	A	B	C	D	E	F	G	H	RoHS
CL211-0159-8-50	9	HDE-CTF (50)	24.99	33.2	18	19.3	19.2	40.2	19.6	7	YES
CL211-0160-7-50	15	HDA-CTF (50)	33.32	41.2	18	27.2	27.2	43.2	19.6	9	
CL211-0139-0-50	25	HDB-CTF (50)	47.04	55	20	40	40	46	20.8	10	
CL211-0161-0-50	37	HDC-CTF (50)	63.5	72.2	20	50.2	57	51.2	24	12	

Dataphone Shell (To be locked by hand)



HDB-CTF1 (50)

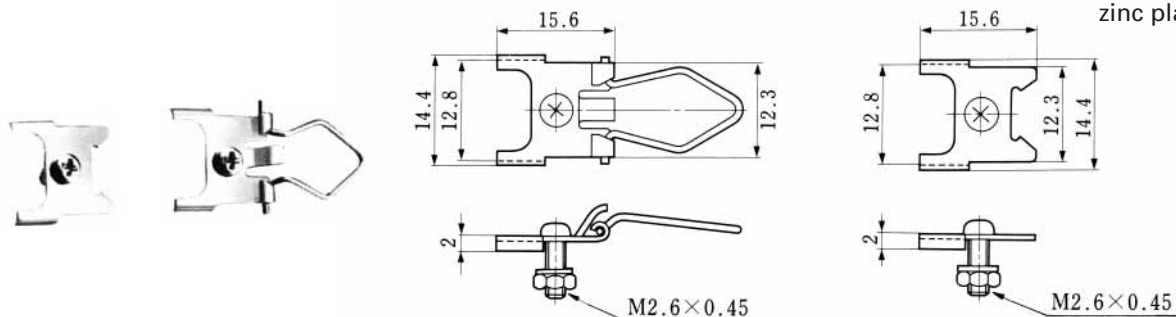


Unit: mm

HRS No	Noof pin	Part No.	A	B	C	D	E	F	G	H	RoHS
CL211-0168-9-50	9	HDE-CTF1 (50)	24.99	33.2	18	19.2	19.2	40.2	19.6	7	YES
CL211-0350-2-50	15	HDA-CTF1 (50)	33.32	41.2	18	27.2	27.2	43.2	19.6	9	
CL211-0166-3-50	25	HDB-CTF1 (50)	47.04	55	20	40	40	46	20.8	10	
CL211-0328-3-50	37	HDC-CTF1 (50)	63.5	72.2	20	50.2	57	51.2	24	12	

SM Series (D SUB) Accessory

Spring lock



HRS No	Part No.	RoHS
CL211-0122-8-50	DA-L (50)	YES

HRS No	Part No.	RoHS
CL211-0123-0-50	DA-LP (50)	YES

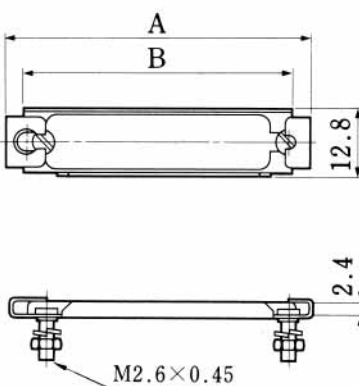
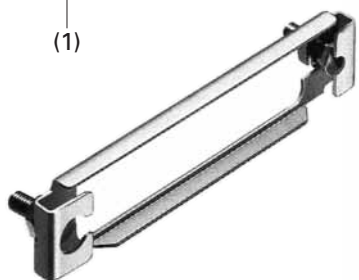
Material

Body: Stainless steel
 Screws: Steel
 Finish
 Screws: Treated with dichromate over zinc plating

Spring lock

D※-PLA (50)

(1)



Material

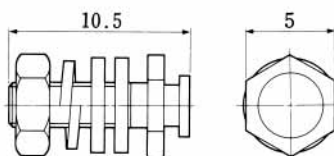
Body: Stainless steel
 Screws: Steel
 Finish
 Screws: Nickel plating

- (1) Connector size: E (9contacts)
 A (15contacts)
 B (25contacts)
 C (37contacts)

Unit: mm

HRS No	Part No.	A	B	No. of pin	RoHS
CL211-0679-8-50	DE-PLA (50)	35.37	28.51	9	YES
CL211-0680-7-50	DA-PLA (50)	43.7	36.84	15	
CL211-0681-0-50	DB-PLA (50)	57.42	50.56	25	
CL211-0682-2-50	DC-PLA (50)	73.88	67.02	37	

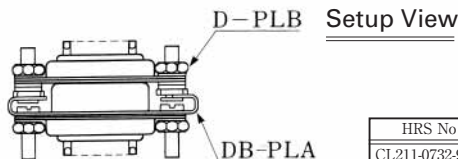
D-PLA (05)



Material: Steel

Body
 Finish: Nickel plating
 Screws

- Notes (1) Minimum ordering quantity is one package, which contains two units.
 (2) Applicable for any size of our connectors.



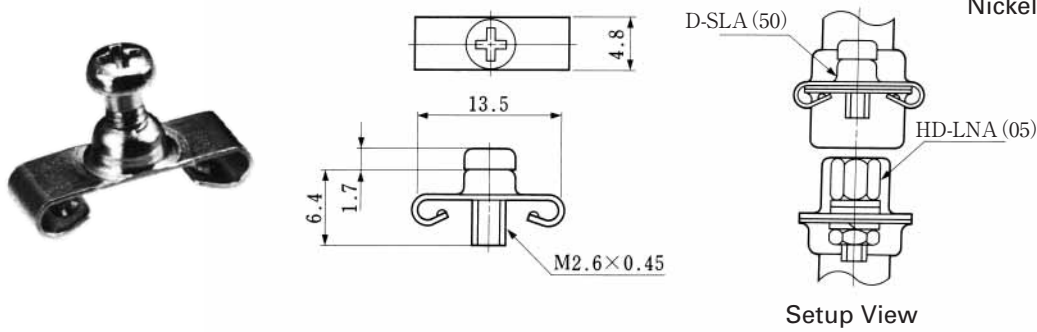
HRS No	Part No.	RoHS
CL211-0732-9-05	D-PLB (05)	YES

SM Series (D SUB) Accessory

Screw lock (for HD-LNA)

Note: Minimum ordering quantity is one package, which contains two units.

Material
 Body: Steel
 Finish
 Nickel plating



HRS No	Part No.	RoHS
CL211-0307-3-50	D-SLA (50)	YES

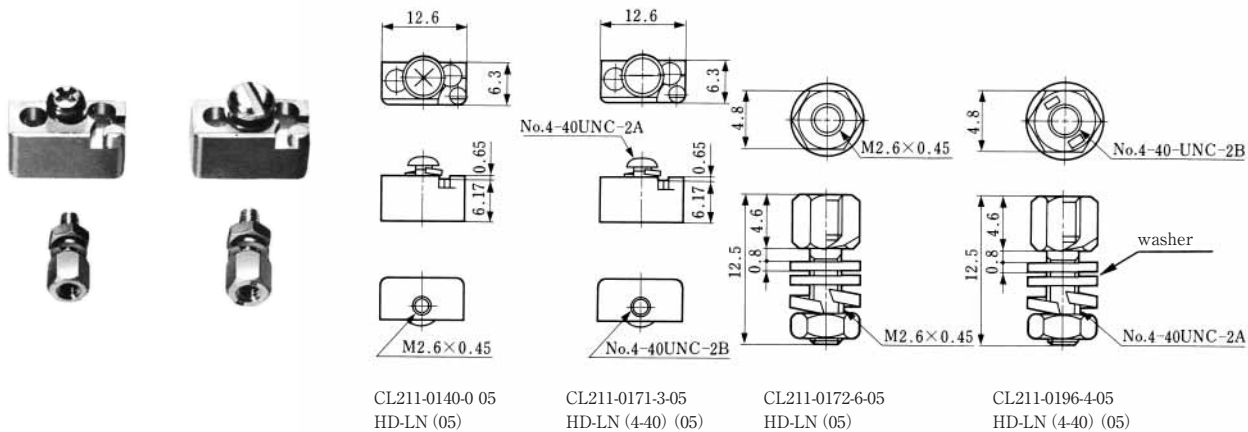
Before mounting the D-SLA, loosen the screw slightly

Note (1) Applicable for 9 to 37 contacts.

(2) Minimum ordering quantity is one package which contains two units.

Locking device

No. of washers	Applicable panel thickness
0	1.6-2.0mm
1	0.8-1.2mm
2	0-0.4mm



CL211-0140-0 05
 HD-LN (05)

CL211-0171-3-05
 HD-LN (4-40) (05)

CL211-0172-6-05
 HD-LN (05)

CL211-0196-4-05
 HD-LN (4-40) (05)

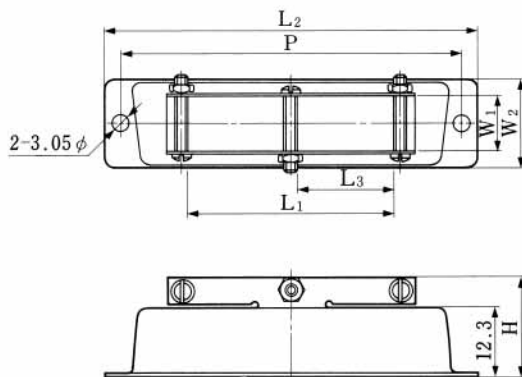
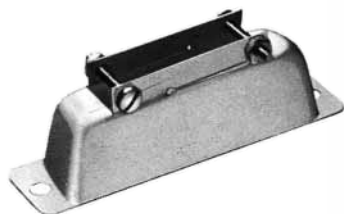
Unit: mm

HRS No	Part No.	RoHS	Applicable panel thickness	No. of washers	Finish
CL211-0140-0 05	HD-LN (05)	YES	1.2mm or less		Nickel plating
CL211-0171-3 05	HD-LN (4-40) (05)				
CL211-0140-0 08	HD-LN (08)		1.2-1.6mm		
CL211-0171-3 08	HD-LN (4-40) (08)				
CL211-0172-6 05	HD-LNA (05)		1.6-2.0mm	0	Adjust no. of washer
CL211-0196-4 05	HD-LNA (4-40) (05)		0.8-1.2mm	1	
			0-0.4mm	2	

Material
 Steel or zinc alloy
 Finish
 Nickel plating

SM Series (D SUB) Accessory

Clamp

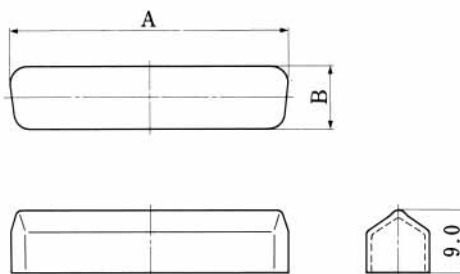


Material
Steel
Finish
Nickel plating

Unit: mm

HRS No	Part No.	L ₁	L ₂	L ₃	P	W ₁	W ₂	H (abt.)	RoHS
CL211-0018-6-50	HDE-C (50)	7.3	30.6	—	24.99	7.5	12.7	16.3	YES
CL211-0005-4-50	HDA-C (50)	8.0	38.9	—	33.32	7.5	12.7	16.3	
CL211-0011-7-50	HDB-C (50)	20.2	52.8	—	47.04	7.5	12.7	16.3	
CL211-0059-3-50	HDC-C (50)	37.0	69.1	17.5	63.5	7.5	12.7	16.3	
CL211-0006-7-50	HDD-C (50)	37.0	66.7	17.5	61.11	9.9	15.5	17.6	

Dust cap

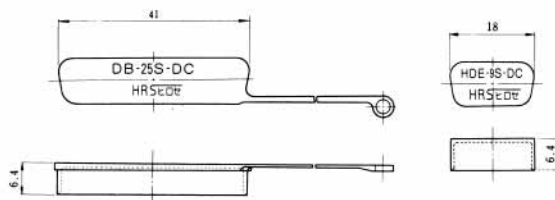


Material
Vinyl chloride (UL94V-2)
Finish
Color: Light blue

	HRS No	No. of pin	Part No.	A	B	RoHS
For male connector	CL211-0777-7	9	DE-9P-DC1	18.7	10.2	YES
	CL211-0778-0	15	DA-15P-DC1	27.0	10.2	
	CL211-0779-2	25	DB-25P-DC1	41.0	10.4	
	CL211-0780-1	37	DC-37P-DC1	57.7	10.6	
	CL211-0781-4	50	DD-50P-DC1	55.0	13.3	

	HRS No	No. of pin	Part No.	A	B	RoHS
For female connector	CL211-0782-7	9	DE-9S-DC1	17.4	8.8	YES
	CL211-0783-0	15	DA-15S-DC1	25.6	8.8	
	CL211-0784-2	25	DB-25S-DC1	39.3	8.8	
	CL211-0785-5	37	DC-37S-DC1	55.8	8.8	
	CL211-0786-8	50	DD-50S-DC1	53.4	11.6	

Note: Dust cap for male connector cannot be used for the connector with locking device (LN)



Material
Polyethylene resin
Finish
Color: Natural

HRS No	Part No.	RoHS
CL211-0162-2	DB-25S-DC	YES

HRS No	Part No.	RoHS
CL211-0130-6	HDE-9S-DC	YES