

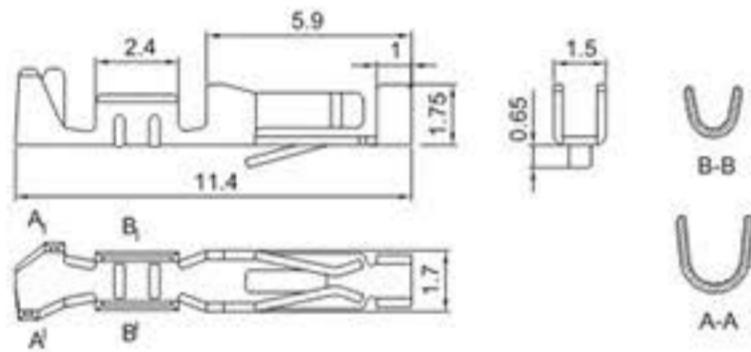
■ 技术参数 SPECIFICATIONS

- 线数 (Poles) : 10~64
- 适用线规 (Applicable wires) : AWG28#~22#
- 适应基板厚度 (Applicable PC board thickness) : 1.6mm
- 温度范围 (Temperature range) : -25°C~85°C
- 额定电压 (Voltage rating) : 250V.Ac/Dc
- 额定电流 (Current rating) : 3A
- 接触电阻 (Contact resistance) : $\leq 0.02\Omega$
- 绝缘电阻 (Insulation resistance) : $\geq 1000M\Omega$
- 耐压 (Withstand voltage) : 1000V.Ac/1min
- 材料 (Material) :
 - 孔座 (Housing) : 尼龙 (PA66) UL94V-2(0)
 - 针座 (Wafer) : 尼龙 (PA66) UL94V-2(0)
 - 端子 (Terminal) : 磷青铜 (Phos.bronze Tin/plated)

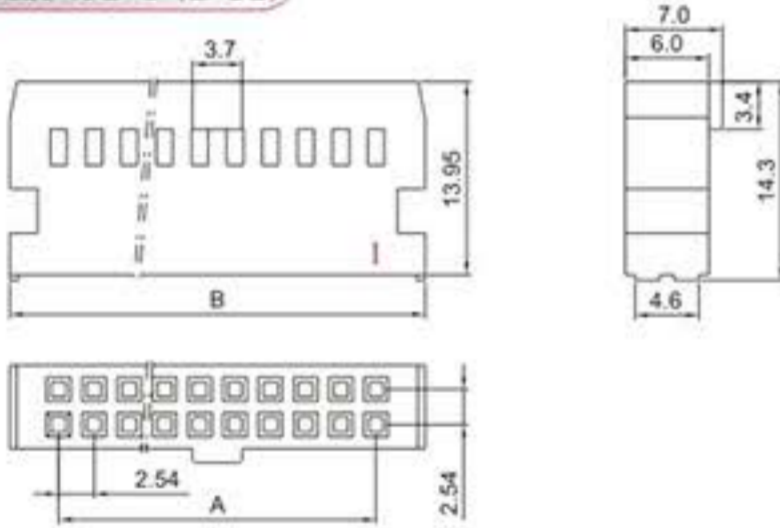
端子 TERMINAL(DC2)

型号 Type	适用线规 Applicable wires		电线外径 O.D of wire ins mm	数量 Quantity
	mm ²	AWG #		
HX25432-PT	0.08~0.33	28~22	1.0~1.6	

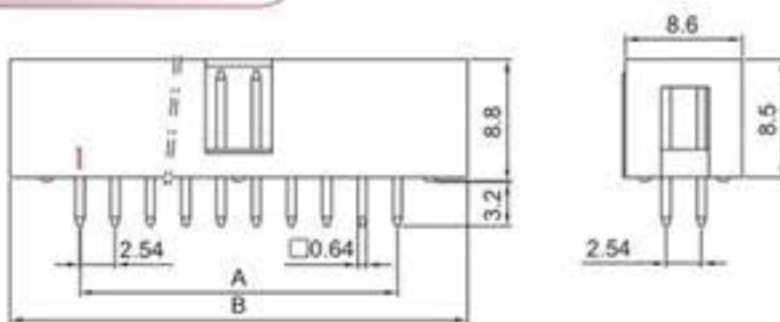
HX25432-PT (DC2)



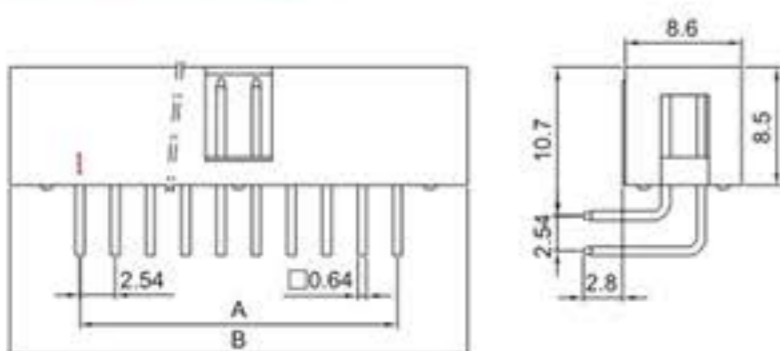
HX25432-Y (DC2)



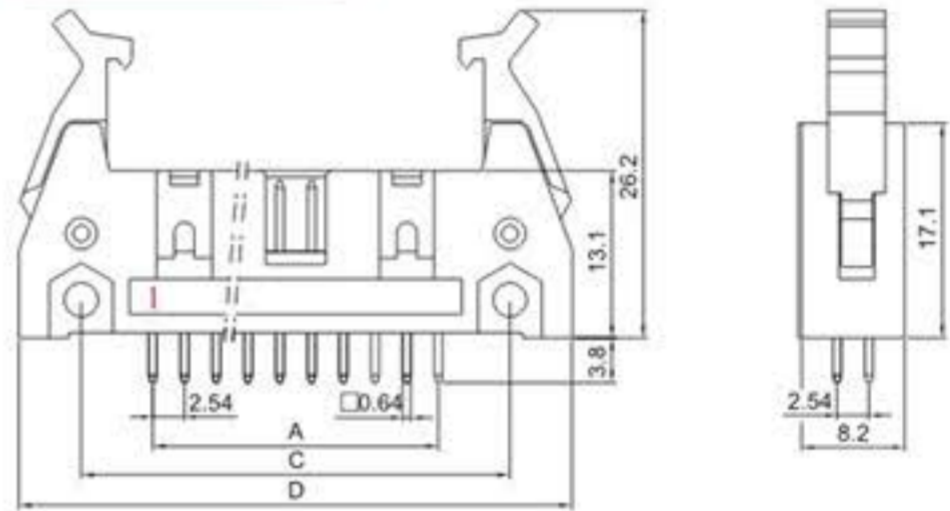
HX25432-A (DC3)



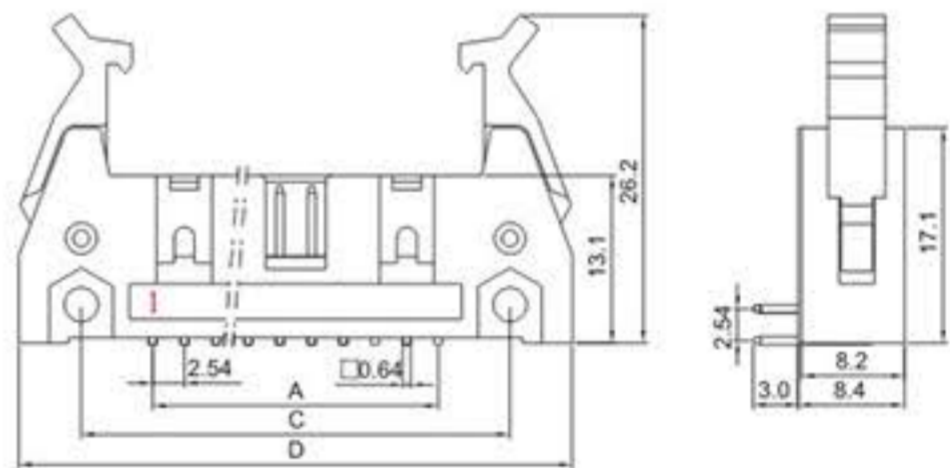
HX25432-WA (DC3)



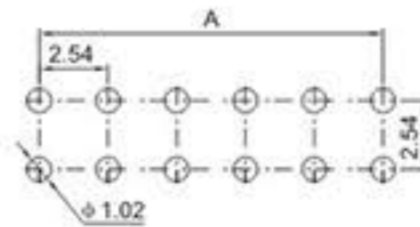
HX25432-AS (DC2)



HX25432-WAS (DC2)



■ 安装尺寸 MOUNTING MEASUREMENT



孔座 HOUSING (DC2)

线数 Poles	型号 Type	尺寸 Dimensions(mm)	
		A	B
10	HX25432-10Y	10.16	17.10
14	HX25432-14Y	15.24	22.18
16	HX25432-16Y	17.78	24.72
20	HX25432-20Y	22.86	29.80
24	HX25432-24Y	27.94	34.88
26	HX25432-26Y	30.48	37.42
30	HX25432-30Y	35.56	42.50
34	HX25432-34Y	40.64	47.58
40	HX25432-40Y	48.26	55.20
50	HX25432-50Y	60.96	67.90
60	HX25432-60Y	73.66	80.60
64	HX25432-64Y	78.74	85.68

针座 WAFER (DC2、DC3)

线数 Poles	型号 Type		尺寸 Dimensions(mm)			
	DC3 筒牛插座	DC2 牛角插座	A	B	C	D
10	HX25432-10A/WA	HX25432-10AS/WAS	10.16	20.32	21.70	31.90
14	HX25432-14A/WA	HX25432-14AS/WAS	15.24	25.40	26.78	36.98
16	HX25432-16A/WA	HX25432-16AS/WAS	17.78	27.94	29.32	39.52
20	HX25432-20A/WA	HX25432-20AS/WAS	22.86	33.02	34.40	44.60
24	HX25432-24A/WA	HX25432-24AS/WAS	27.94	38.10	39.48	49.68
26	HX25432-26A/WA	HX25432-26AS/WAS	30.48	40.64	42.02	52.22
30	HX25432-30A/WA	HX25432-30AS/WAS	35.56	45.72	47.10	57.30
34	HX25432-34A/WA	HX25432-34AS/WAS	40.64	50.80	52.18	62.38
40	HX25432-40A/WA	HX25432-40AS/WAS	48.26	58.42	59.80	70.00
50	HX25432-50A/WA	HX25432-50AS/WAS	60.96	71.12	72.50	82.70
60	HX25432-60A/WA	HX25432-60AS/WAS	73.66	83.82	85.20	95.40
64	HX25432-64A/WA	HX25432-64AS/WAS	78.74	88.90	90.28	100.48