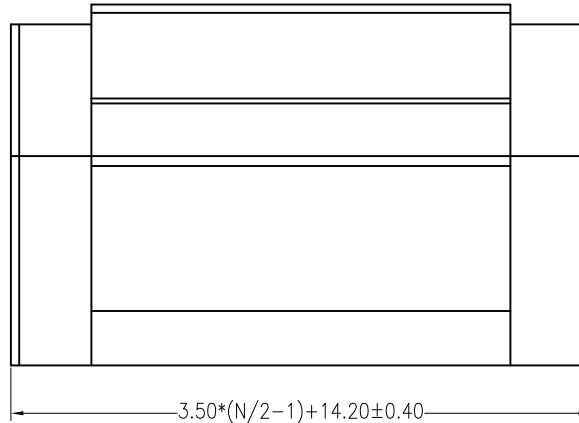


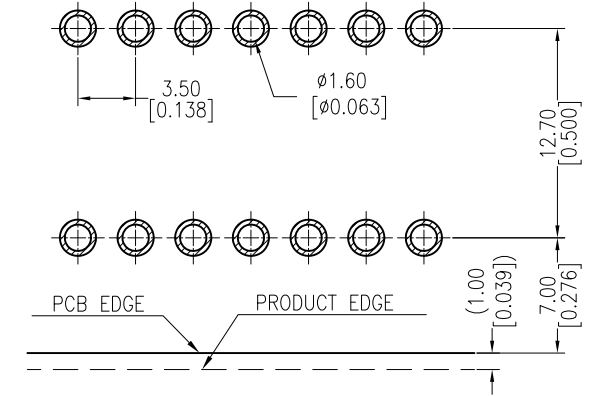
# HSF

**NOTES:**

1. MATERIAL:
  - 1.1 HOUSING:PA66+30%GF(UL94V-0)
  - 1.2 COVER:PA66+30%GF(UL94V-0)
  - 1.3 TERMINAL:BRASS,MATTE TIN PLATED OVER NICKEL
2. ELECTRICAL:
  - 2.1 CURRENT RATING: 8 A
  - 2.2 VOLTAGE RATING: 300 V
  - 2.3 CONTACT RESISTANCE:8 mΩ MAX.
  - 2.4 DIELECTRIC WITHSTANDING VOLTAGE:2000V AC
  - 2.5 INSULATION RESISTANCE:1000 MΩ MIN
3. ENVIRONMENTAL:
  - 3.1 OPERATION TEMPERATURE:-40°C TO +105°C
4. No.OF POSITIONS:2~20
5. ALL MATERIALS SHOULD BE COMPLIANT TO ROHS



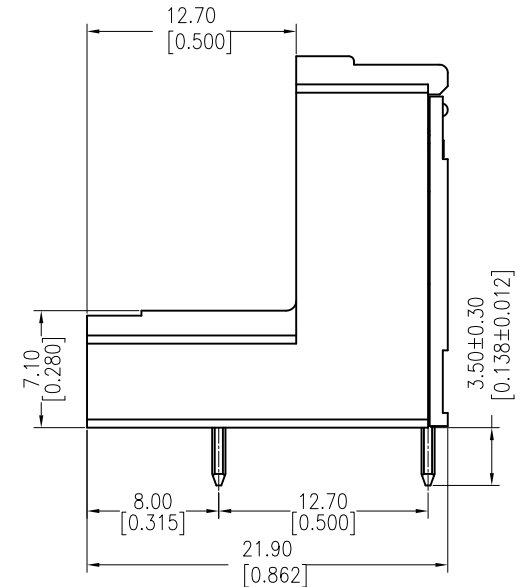
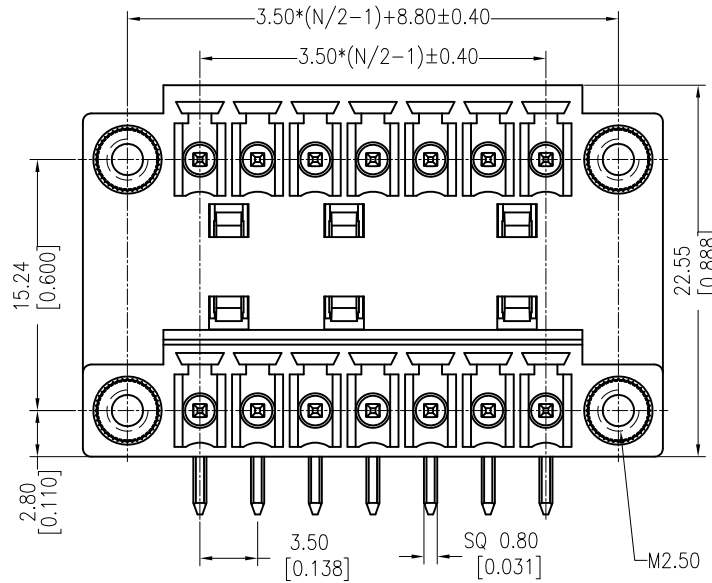
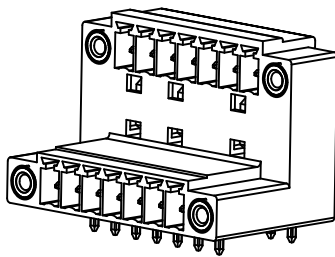
**Recommended P.C.B Layout (Top Side)**  
(PCB BOARD TOLERANCE ± 0.05)



**Ordering Information:**

**P M 350 - 3 R XX A SM 2 N**

P=Male    Pitch 350=3.50  
 No.of Pins (Per Row) 02-20P    Color A=Green    Contact Plated SM=Matte Tin    Series No.



REV	DATE	MODIFICATION DESCRIPTION	CHANGE	OPERATION		DRAW	DATE	SCALE	FIT	PART NO.
				X.X	±0.40					
				X.XX	±0.25	Tsingsn	2013/09/17	UNIT	mm	PM381-3RXXASM2N
				X.XXX	±0.15	CHECK	DATE	SIZE	A4	
A0	2013/09/17	NEW		Angle	± 3'	APPROVE	DATE	SHEET	1/1	TITLE: 3.50mm Pitch Male Pluggable Terminal Blocks Double Stagger Tier With Flange
				DIM	TOL			PROJ.	↗	Customer NO.