

# HSF

NOTES:  
 Rated Current: 0.5~1.0 AMP.  $\Delta$   
 Contact Resistance: 25m $\Omega$  Max.  
 Withstand Voltage: 500V  
 Insulation Resistance: 10000M $\Omega$  Min.  
 Operation Temperature: -55 $^{\circ}$ C to +125 $^{\circ}$ C

Contact Material: Phosphor Bronze  
 Contact Plating: Sn and Au over Ni  
 Tail Material: Phosphor Bronze  
 Tail Plating: Sn over Ni  
 Main Body Material: LCP

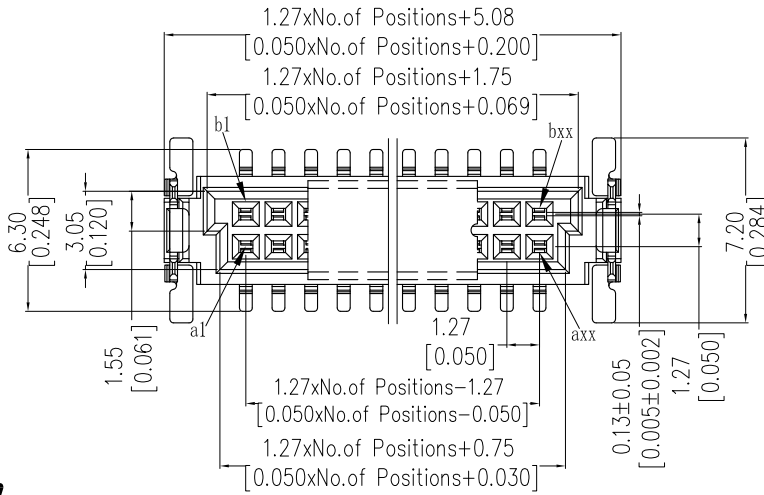
## Ordering Information

3910-S XXX-062 M XX W R 1

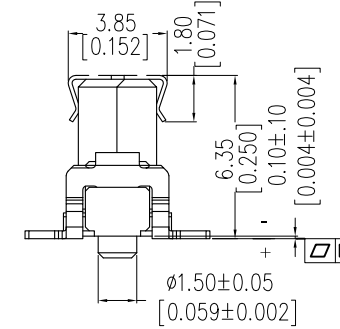
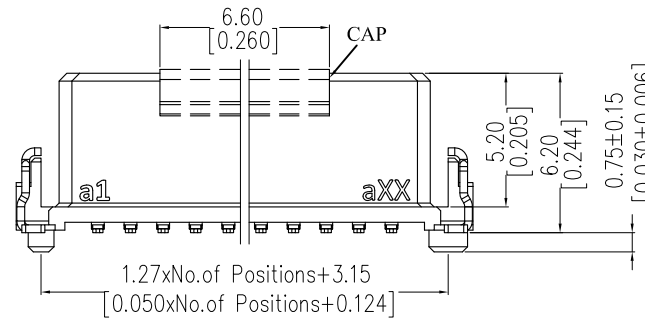
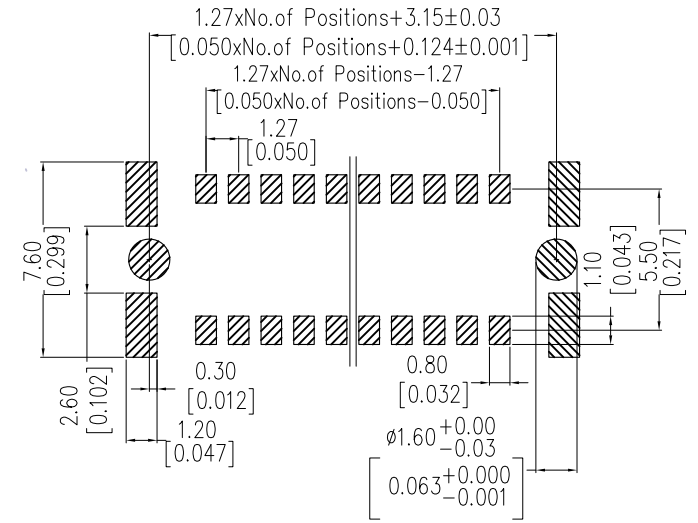
No. of Pins  
 010: 10 Pin  
 020: 20 Pin  
 100: 100 Pin

Plating  
 S0=Gold Flash/Tin  
 S1=3U" Au/Tin  
 S2=5U" Au/Tin  
 S3=10U" Au/Tin  
 S4=15U" Au/Tin  
 S5=30U" Au/Tin

Package  
 R: Tape & Reel



Recommended P.C.B Layout (Top Side)  
 (PCB BOARD TOLERANCE  $\pm 0.05$ )



PIN	M
10~40PIN	0.12
42~100PIN	0.15

REV	DATE	MODIFICATION DESCRIPTION	CHANGE	OPERATION	DRAW	DATE	SCALE	PART NO.
A2	2018/05/04	Modify	---	x.x	Ding	2018/05/04	1:1	3910-SXXX-062MXXWR1
A1	2017/10/31	Modify	---	x.xx	CHECK	DATE	mm	TITLE: $\Delta$ 1.27Pitch SDC CONNECTORS FEMALE "E" TYPE, H=6.2 (TYPE B)
A0	2017/08/28	NEW	---	x.xxx	APPROVE	DATE	A4	Customer NO.
				Angle			1/1	
				$\pm 3'$				
				DIM				
				TOL				