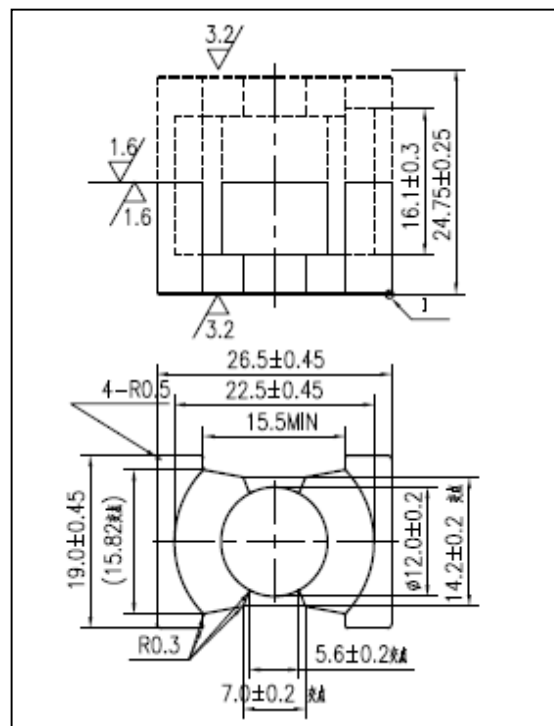


CORE SETS

Effective core parameters

SYMBOL	PARAMETER	VALUE	UNIT
$\Sigma (1/A)$	core factor (C_1)	0.47	mm^{-1}
V_e	effective volume	6549.0	mm^3
l_e	effective length	55.5	mm
A_e	effective area	118.0	mm^2
A_{min}	minimum area	108.0	mm^2
W_t	mass of core set	≈ 36.0	g



Characteristic

GRADE	AL (nH/N^2)	B (mT)	CORE LOSS (W)	
	f=10kHz U=0.25V	H=250A/m f=25kHz T=100°C	f=100kHz B=200mT T=100°C	
DMR24	4000 ± 25%	≥ 325	≤ 4.86	
DMR40	4800 ± 25%	≥ 315	≤ 5.04	
DMR44	4800 ± 25%	≥ 315	≤ 4.32	
DMR47	5200 ± 25%	≥ 325	≤ 3.42	
DMR90	4500 ± 25%	≥ 325	≤ 4.68	
DMR95	5600 ± 26%	≥ 315	≤ 3.80	

GRADE	AL (nH/N^2)	B (mT)	CORE LOSS (W)	
	f=10kHz U=0.25V	H=250A/m f=25kHz T=100°C	f=500kHz B=50mT T=100°C	f=3MHz B=10mT T=100°C
DMR55	3800 ± 25%	≥ 300	≤ 2.16	—
DMR50	3200 ± 25%	≥ 300	≤ 1.05	—